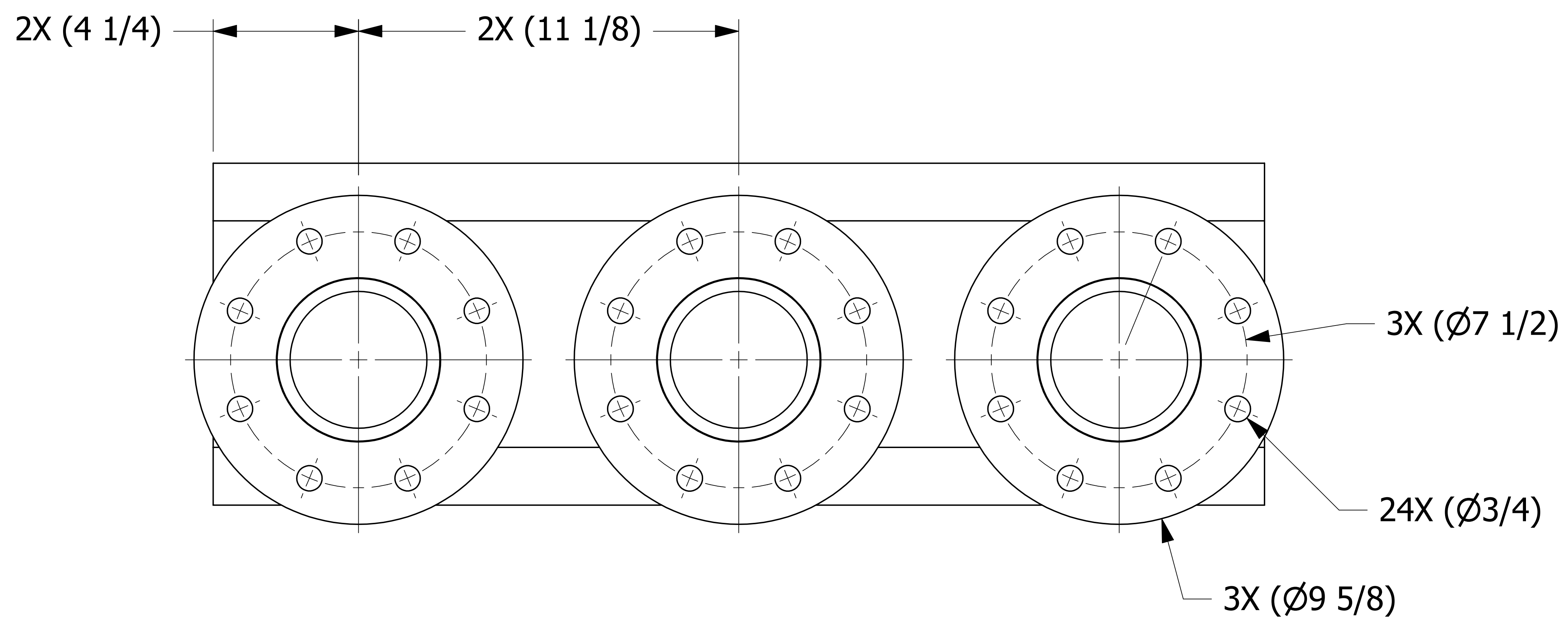
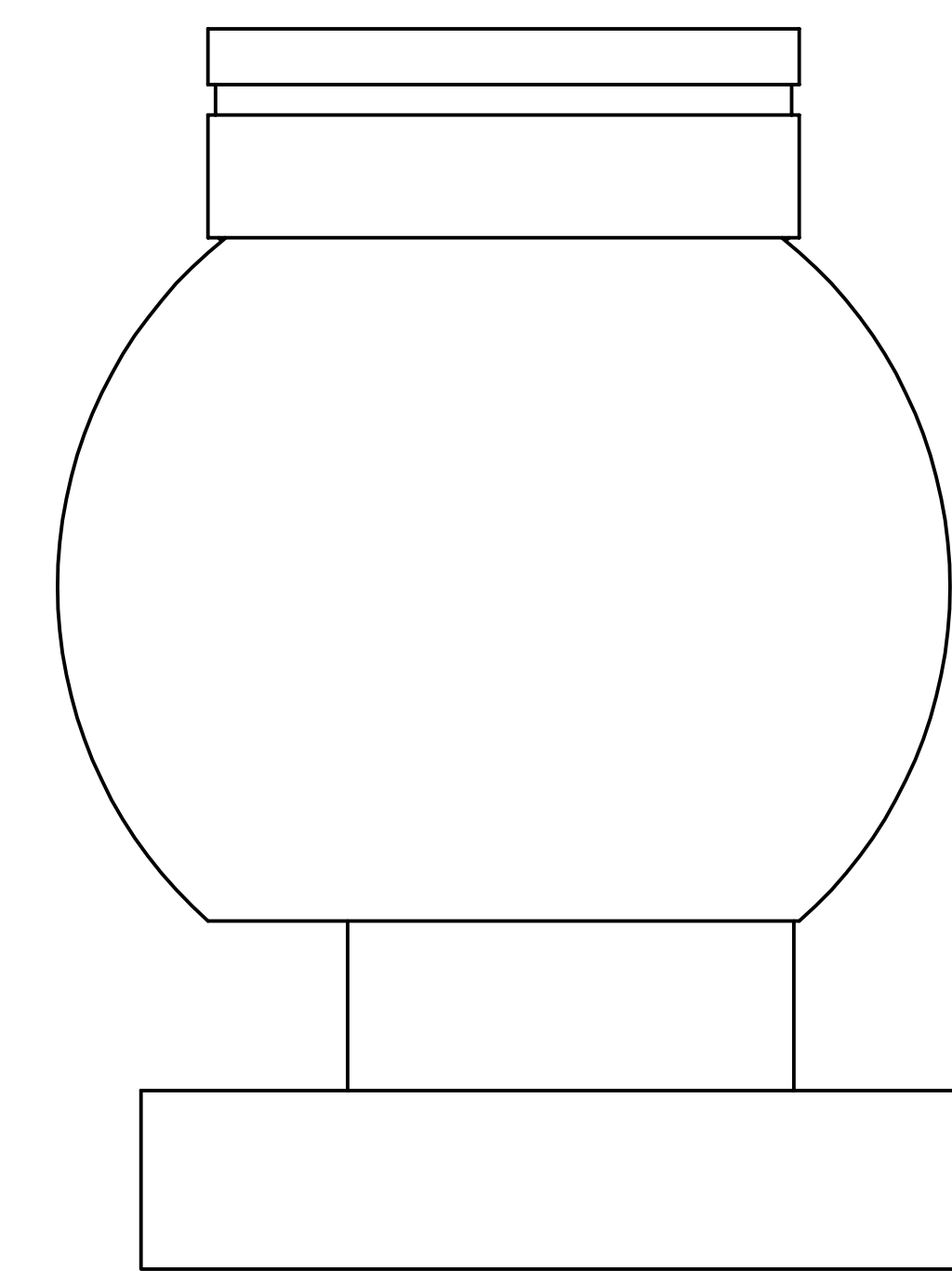
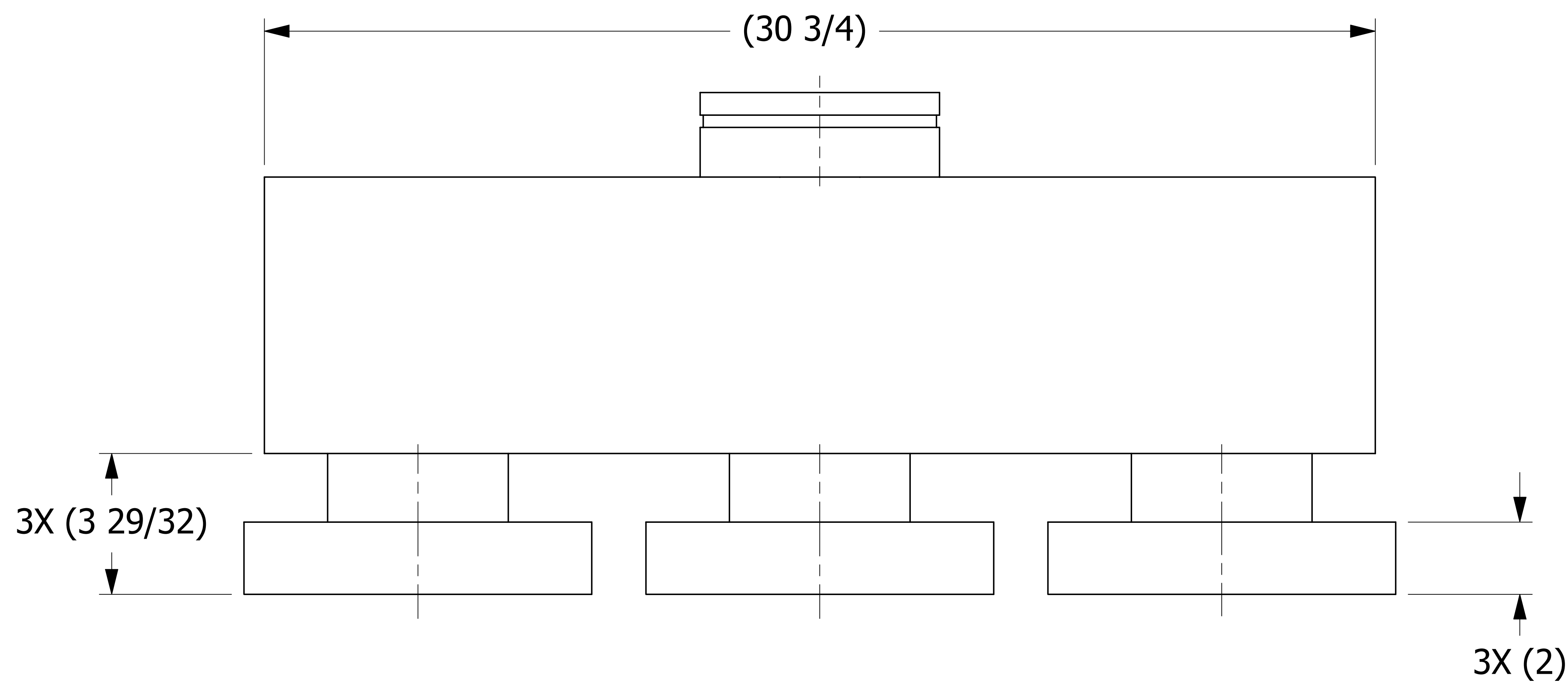


SALES DRAWING SALES DRAWING

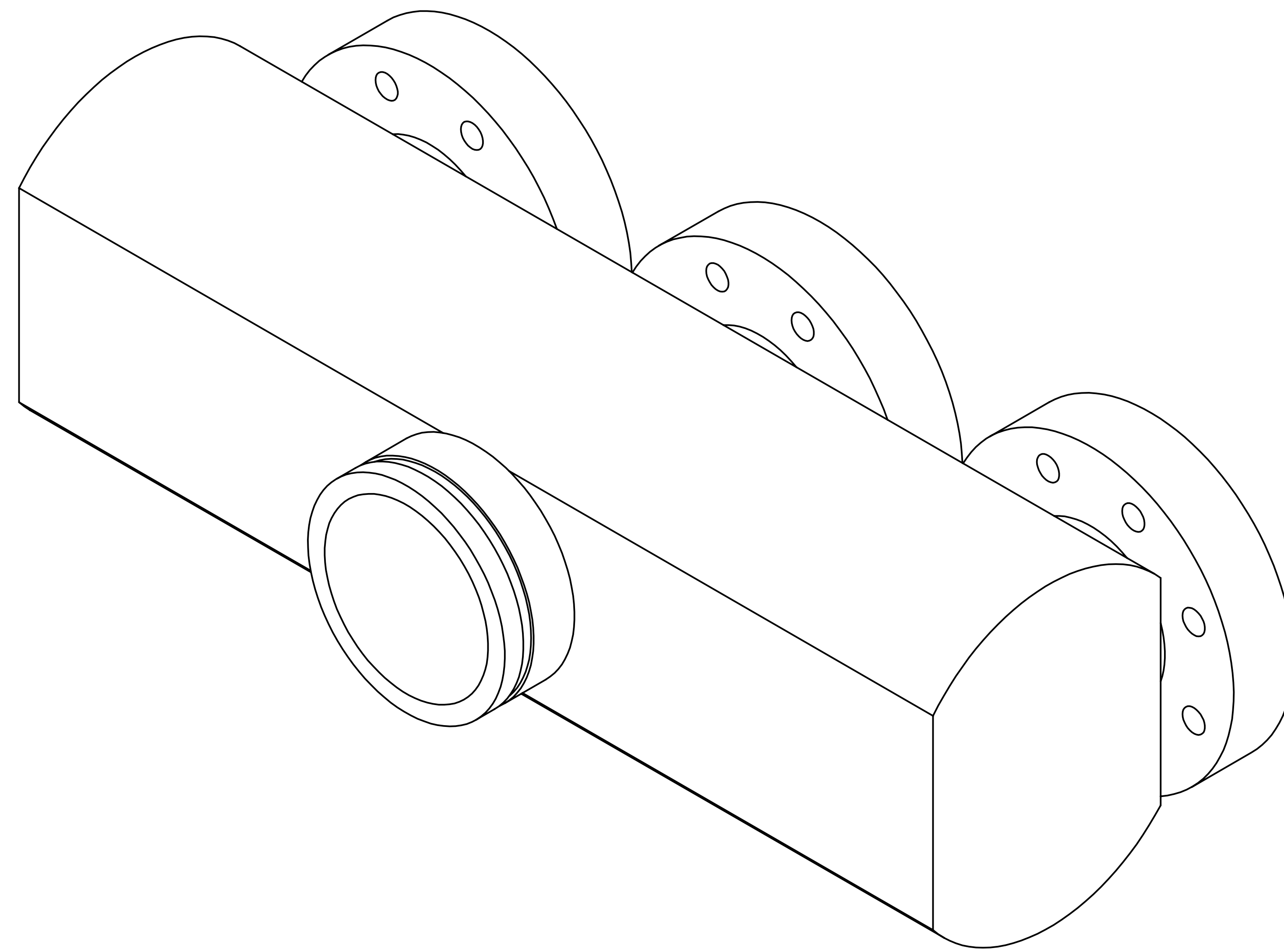
SALES DRAWING SALES DRAWING



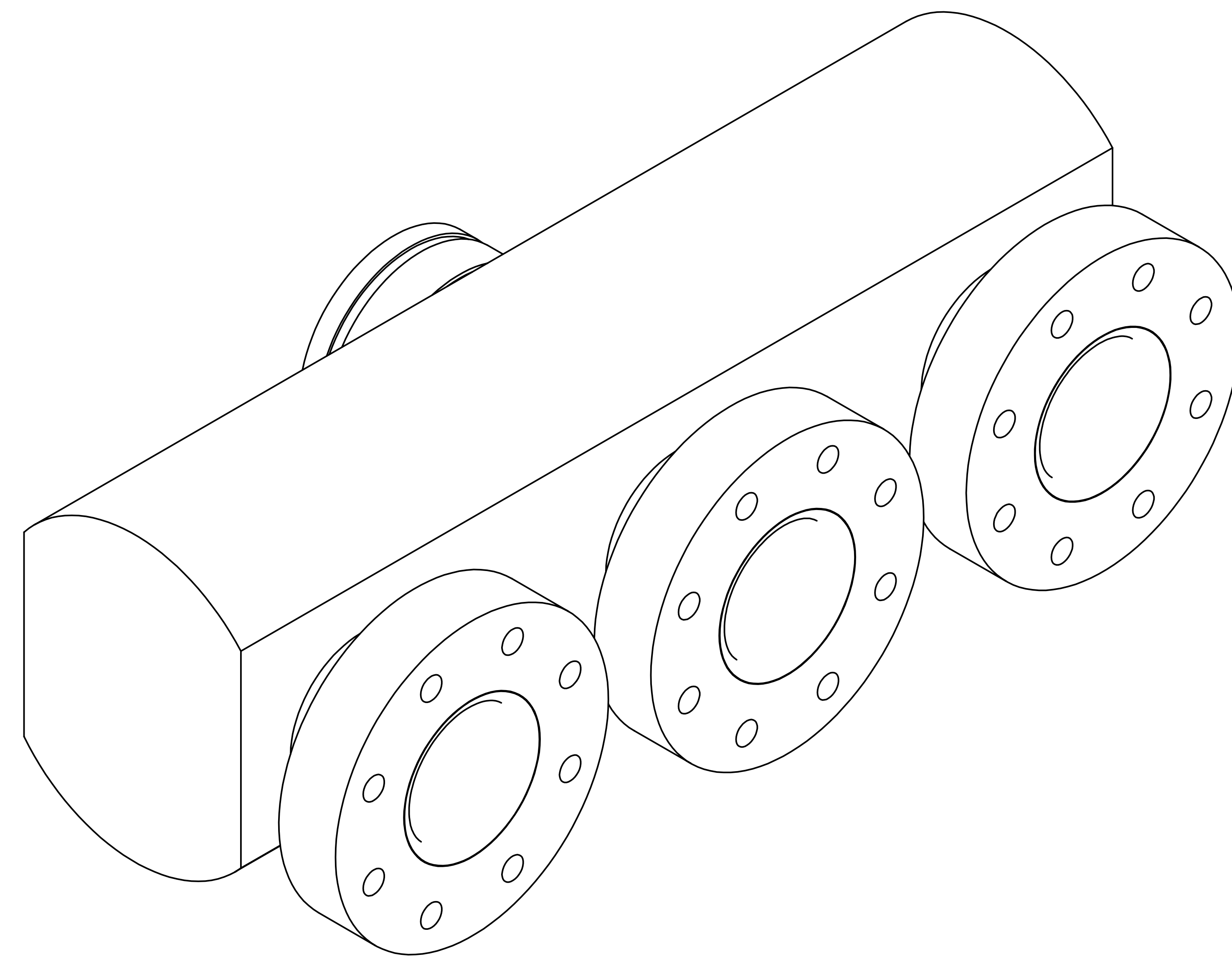
REV	BY	DATE	DESCRIPTION
D	BG	8-16-12	REMOVED A28853 FROM THE BOM
C	VD	08-19-11	UPDATED VIEW
B	GDS	8-1-11	ADDED MARKING PRESSURE NOTE
A	VD	03-22-11	ADDED PART TO SYSTEM.

<small>UNLESS OTHERWISE SPECIFIED DIMENSIONAL TOLERANCES FRACTIONAL: ±1/16 X.XX: ±.03 X.XX: ±.015 ANGULAR: ±1° DEBURR ALL SHARP EDGES. ALL MACHINED SURFACES TO HAVE A 125 RMS FINISH UNLESS NOTED OTHERWISE. THIRD ANGLE PROJECTION</small>	DRAWN BY:	VD
	CHECKED BY:	VD
	PROTOTYPE BY:	VD
	PROTOTYPE DATE:	5/27/2010
	APPROVED FOR PRODUCTION BY:	VD
	PRODUCTION DATE:	7/22/2011

 <b>SALCO PRODUCTS, INC.</b> <i>Hazarsolve® Division</i>		
PART NAME: <b>PIPE MANIFOLD 6"X4"</b>		
MATERIAL: <b>SALCO PE</b>		
PROJECT #:	SHEET #:	SCALE:
<b>100519</b>	<b>1 OF 2</b>	<b>1:2</b>
DRAWING #:	PART #:	
<b>E28850</b>	<b>HSPM6X4X3A</b>	



ISOMETRIC VIEW  
SCALE 1 : 2



ISOMETRIC VIEW  
SCALE 1 : 2

REV	BY	DATE	DESCRIPTION
D	BG	8-16-12	REMOVED A28853 FROM THE BOM
C	VD	08-19-11	UPDATED VIEW
B	GDS	8-1-11	ADDED MARKING PRESSURE NOTE
A	VD	03-22-11	ADDED PART TO SYSTEM.

UNLESS OTHERWISE SPECIFIED DIMENSIONAL TOLERANCES FRACTIONAL: $\pm 1/16$ X.XX: $\pm .03$ X.XX: $\pm .015$ ANGULAR: $\pm 1^\circ$ DEBURR ALL SHARP EDGES. ALL MACHINED SURFACES TO HAVE A 125 RMS FINISH UNLESS NOTED OTHERWISE. THIRD ANGLE PROJECTION	DRAWN BY:	VD
	CHECKED BY:	VD
	PROTOTYPE BY:	VD
	PROTOTYPE DATE:	5/27/2010
	APPROVED FOR PRODUCTION BY:	VD
	PRODUCTION DATE:	7/22/2011

 <b>SALCO PRODUCTS, INC.</b> <i>Hazarsolve® Division</i>		
PART NAME: <b>PIPE MANIFOLD 6"X4"</b>		
MATERIAL: <b>SALCO PE</b>		
PROJECT #:	SHEET #:	SCALE:
100519	2 OF 2	1:2
DRAWING #:	PART #:	
<b>E28850</b>	<b>HSPM6X4X3A</b>	